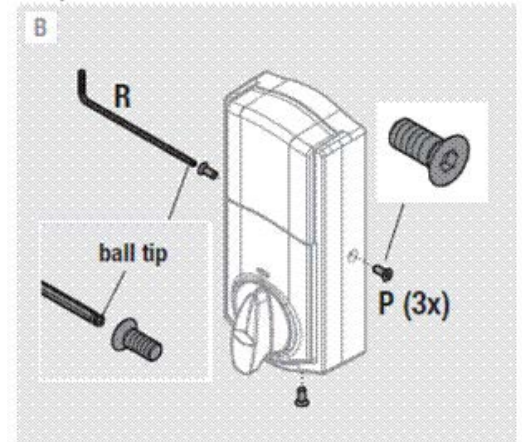


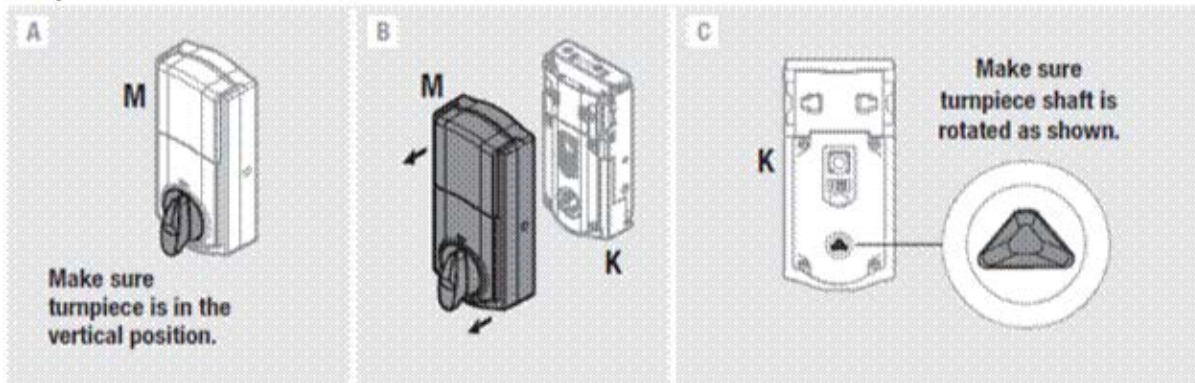
To change the batteries on the KwickSet SmartLock:

1. Using a standard Phillips screwdriver or the Allen Key left by your installer (if applicable), remove the 3 screws on the outer back case of the lock. There is typically 1 screw on each side and 1 on the bottom.
2. Make sure the turnpiece is in the vertical position, pull straight back on the casing.
3. Squeeze the black tabs on either side of the outer casing and pull the battery pack up. Replace with AA Alkaline batteries (x4) then reassemble.

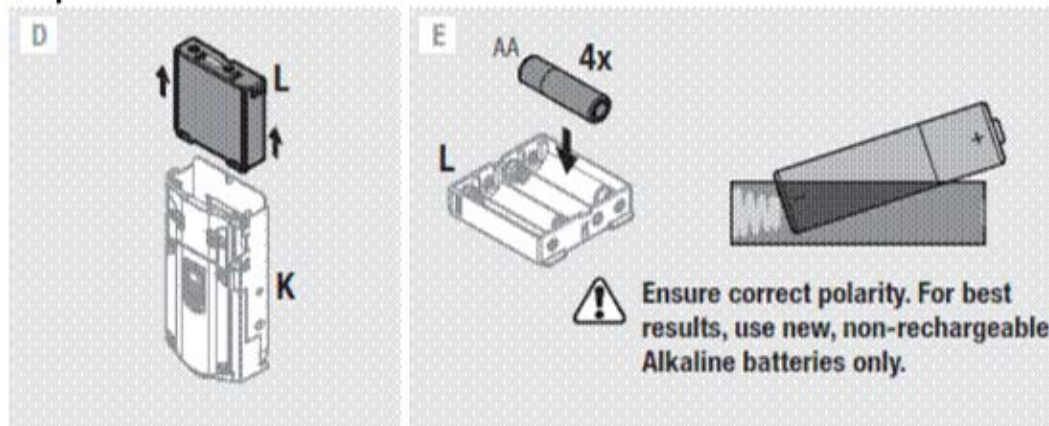
Step 1



Step 2



Step 3



If you require assistance with any step of your battery installation please contact us at **1-866-476-0420**.